

金属化交流滤波电容器

AC Filtering Metallized Film Capacitors

应用:

- 太阳能/风能逆变器输入/输出侧滤波;
- 逆变电源、UPS 电源、大功率开关电源等输入/输出侧滤波;
- 大功率变频器等电力电子设备的交流滤波。

Applications:

- Input/output side of the filter of Solar energy / wind power inverter.
- Input/output side filter of inverter power supply, UPS power supply, high-power switching power supply.
- The ac filter of electronic equipment such as high-power inverter.



● 产品描述

- 执行标准 GB/T 17702 idt IEC 61071, GB/T 2693 idt IEC 60384-1;
- 金属化聚丙烯膜无感卷绕;
- UL94-V0 阻燃树脂封装,全固态结构;
- 特殊的金属化镀层可以有效控制交流电离,长寿命、电容量稳定;
- 应用具有自主知识产权的国家专利技术制造;
- 产品具有很低的 ESR、能耐受大的有效值电流 Irms 和峰-峰值电流 Ipp;
- 可承受较高的非周期性峰值电压 Us;
- 特别适用于风电、光伏逆变器以及大功率 UPS 等输出侧滤除高频载波、谐波。

● 工艺特点

- 采用标准化定制的内部结构件,可以确保内部连接可靠和 ESR 更低,以及引出端子能够承受更大的扭矩力;
- 采用专用工装加工制造,可以保证产品引出端子的尺寸精度,从而可确保多个产品并联使用时一次性安装成功。

● Description of Products

- Reference standard: GB/T 17702 idt IEC 61071, GB/T 2693 idt IEC 60384-1;
- Metallized polypropylene film wound, non-inductive construction.
- UL94 -V0 flame retardant resin encapsulation, solid-state structure.
- Special metallized coating can effectively control the ac ionization, long life, stability of capacitance.
- To adopt technology patent with self-owned intellectual property right approved by our country to manufacture products.
- Very low ESR, withstanding very high effective value of current Irms and peak to peak value of current Ipp.
- Withstanding higher non-periodic peak to peak voltage Us.
- Especially used in filtering high frequency carrier wave and harmonic wave on the output side of wind power, photovoltaic inverter, high-power UPS and so on.

● Technology Features

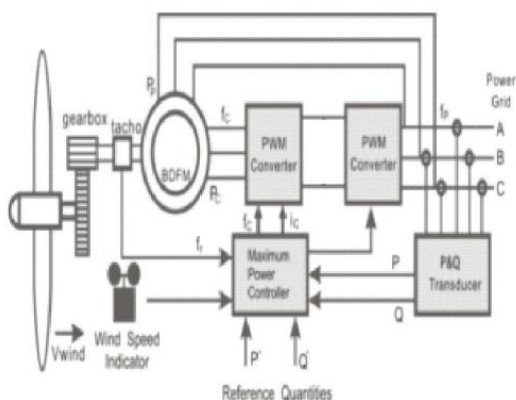
- To adopt standardizing internal custom-made, structure member assuring internal connection reliable, lower ESR, terminals can endure more torque force.
- Using special mould in process of manufacturing product, assuring accuracy of dimensions of product's terminals and successful in first mounting them when many products are used to connect together in parallel.

● 性能指标 Specifications

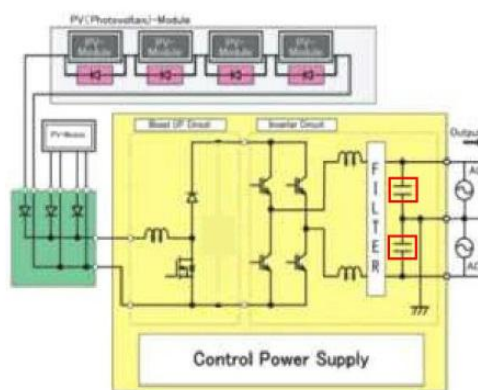
温度范围 (与工作电流有关) Temperature Range	-40~+85/105℃ (Relating to operating current)
电容量范围 (可根据客户要求定制) Capacitance Range	5~200μF (Others made to order available)
电容量偏差 ΔC/C Capacitance Tolerance ΔC/C	J: ±5% K: ±10%
额定工作电压 U _n (可根据客户要求定制) Rated Voltage U _n	450~1000Vac; 320~690Vrms (Others made to order available)
端子间电压 U _{TT} Voltage Proof Between Terminals U _{TT}	2.15 U _n ; 3.05 U _{rms} Vdc (60s)
端子与外壳间电压 U _{TC} Voltage Proof Between Terminals And Case U _{TC}	4kVac (50/60Hz 60s)

● 典型应用线路 Typical Circuits Applications

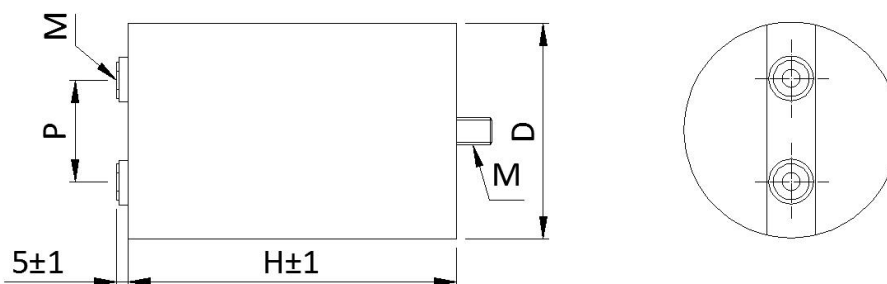
风能逆变器 Wind power inverter



太阳能发电系统 Solar energy generation system



● 外形尺寸 (铝壳) Dimensions(Aluminium Case)



尺寸附加说明 Additional remark of dimensions

D (mm)	引出端形式 Terminals Style	P (mm)	安装螺丝 Mounting screw (mm)
<76	φ12×M6×8	20	M8×10 D≤60
76、86	φ14×M6×8	32	M12×16 D>60
96、116	φ16×M6×8	50	

注：不仅仅局限于以上外壳规格，包括外壳尺寸、引出端形式均可根据客户要求定制。



Note: Except listed descriptions above, we can offers made to order according to customer's requirements, including aluminum case size and terminals style..

● 代表规格 **Representative Specifications**

U _n	C _R	D	H	dv/dt	Ĥ	MAX Irms (θmax:55℃)	ESR (10kHz,TYP)
	(μF)	(mm)		V/μs	(A)	(A)	(mΩ)
450Vac (320V _{rms})	4	45	55	25	100	21	2.5
	5	45	60	22	110	23	2.6
	6	45	68	18	108	23	3.2
	10	55	68	18	180	29	1.9
	18	63	80	14	252	31	1.8
	30	63	120	8	240	30	2.9
	48	76	120	8	384	42	1.8
	58	86	132	18	1044	55	1.0
	120	86	225	8	960	104	1.4
640Vac (450V _{rms})	3	45	60	28	84	23	2.6
	5	55	60	28	140	32	1.7
	8	63.5	60	28	224	39	1.2
	14	76	90	18	252	43	1.9
	18	86	90	18	324	56	1.6
	28	76	175	18	504	86	1.2
	36	86	175	18	648	100	1.1
	45	96	175	18	810	120	1.0
	70	116	175	18	1260	120	0.8
1000Vac (690V _{rms})	2.5	45	75	28	70	23	3.0
	4	55	75	28	112	28	2.1
	5.5	63	75	28	154	33	1.7
	10	76	120	18	180	38	2.5
	14	86	120	18	252	53	2.0
	17	96	120	18	306	65	1.8
	26	116	120	18	468	99	1.5
	28	86	230	18	504	99	1.5
	35	96	230	18	630	120	1.3
	52	116	230	18	936	120	1.1

备注：可根据客户需求，提供定制产品。Special design available to meet your requirements.